



Project: _____ Type: _____

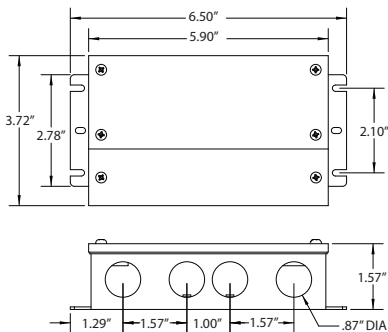
Product Features

- Constant Voltage Output
- Universal 100-277VAC Input
- Single Channel
- Class 2
- Class A Sound Rating
- Power Factor up to 0.99
- 10 - 100% load
- Variety of dimming options: ELV, MLV, TRIAC, 0-10V and PWM
- Wet location
- Short circuit, Overload and over heat protection
- Built-in active PFC function
- Flicker-free
- 3 Year Warranty

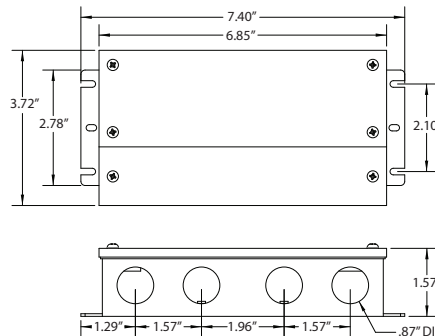


Dimensions

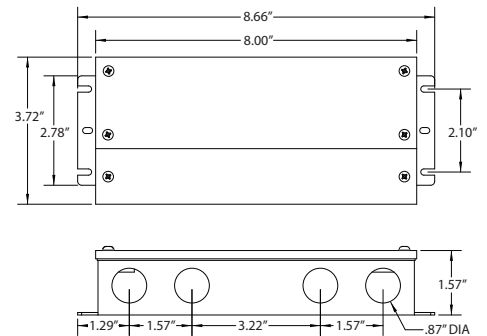
6.50"(L) x 3.72"(W) x 1.57"(H)
INF-J-30-1-2.5-12, INF-J-30-1-1.3-24



7.40"(L) x 3.72"(W) x 1.57"(H)
INF-J-60-1-5-12, INF-J-60-1-2.5-24



8.66"(L) x 3.72"(W) x 1.57"(H)
INF-J-96-1-4-24



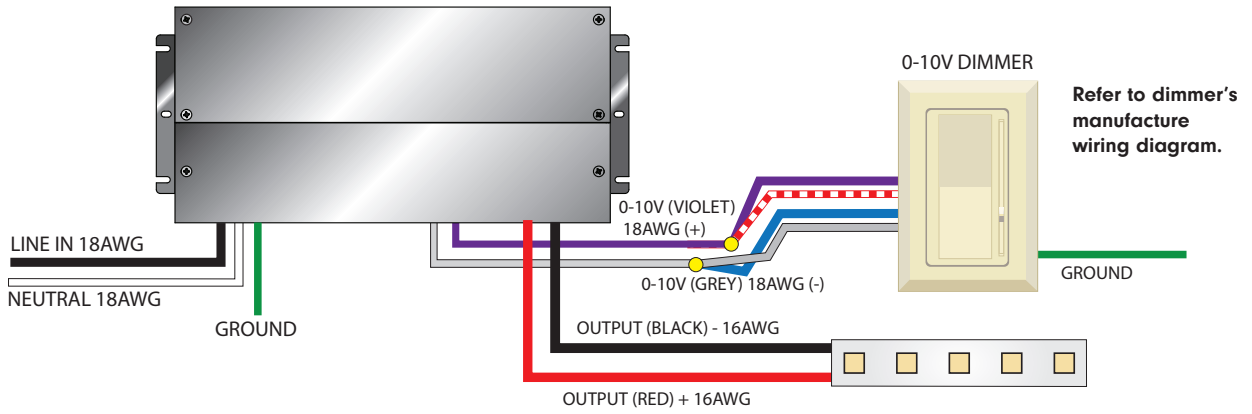


Order and Specification Guide

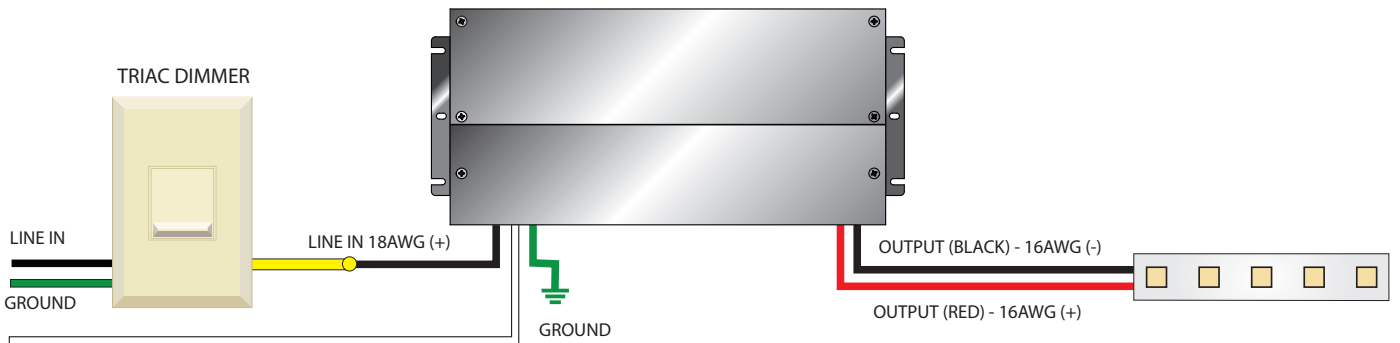
CAT NO.	INF-J-30-1-2.5-12	INF-J-30-1-1.3-24	INF-J-60-1-5-12	INF-J-60-1-2.5-24	INF-J-96-1-4-24
DC Voltage	12V	24V	12V	24V	24V
Transformer Classification	Class 2				
Rated Current	2.5A	1.3A	5A	2.5A	4A
Rated Power	30W	30W	60W	60W	96W
Number of Channel(s)	1				
Dimming	Forward Phase (MLV), TRIAC, Reversed Phase (ELV), 0-10V, PWM				
Voltage Regulation	±0.5%				
Output					
Input Voltage	100-277VAC				
Frequency Range	47-63Hz				
Power Factor (Typ.) @ full load	0.99@120VAC 0.98@277VAC		0.98@120VAC 0.95@277VAC		
THD (Typ.) @ full load	<20%				
Efficiency (Typ.) @ full load	79% @120VAC 80% @277VAC		83% @120VAC 86% @277VAC		
AC Current (Max.)	0.5A @100VAC				1.3A @ 100VAC
Inrush Current (Typ.)	7A, 50%, 420us @ 120V AC 12A, 50%, 480us @ 277V AC		14A, 50%, 780us @ 120V AC 15A, 50%, 660us @ 277V AC		20A, 50%, 1.6ms
Physical					
Net Weight	1.90 lbs		2.25 lbs		2.75 lbs
Dimension	6.50"(L) 3.72"(W) 1.57"(H)		7.40"(L) 3.72"(W) 1.57"(H)		8.66"(L) 3.72"(W) 1.57"(H)
Protection					
Short Circuit	Shut down o/p voltage, re-power on to reset the condition				
Over loading	≥120% shutdown o/p voltage, re-power to reset the condition				
Over heating	100° C ± 10° C shut down o/p voltage, automatically recover after cooling				
Environment					
Working Temp.	-40° to 60° C (-40° to 140° F)				
Working Humidity	20-90% RH, non-condensing				
Storage Temp	-40° to 80° C (-40° to 176° F)				
Storage Humidity	10-95% RH				
Temp. Coefficient	±0.03%/° C (0-50° C)				
Vibration	10-500Hz, 5G 10 min./1 cycle, period for 60 min., each along X, Y, Z axis				
Safety Compliance & EMC					
Certification	UL 8750, Type HL UL 1310				
Sound Rating	Class A - SPL (dba) 16.8 @ 20% 16.4 @ 100%				
Environment	Wet Location				
Withstand Voltage	I/P-O/P:1.88KVAC				
Isolation Resistance	I/P-O/P:100M Ω/500VDC/25° C/70%RH				
EMC Emission	FCC 47 CFR Part 15, Subpart B				

Wiring Diagram

PWM, 0-10V Dimmer Diagram



MLV, ELV, TRIAC Dimmer Diagram



Refer to dimmer's manufacture wiring diagram.

Dual Dimmer Diagram

